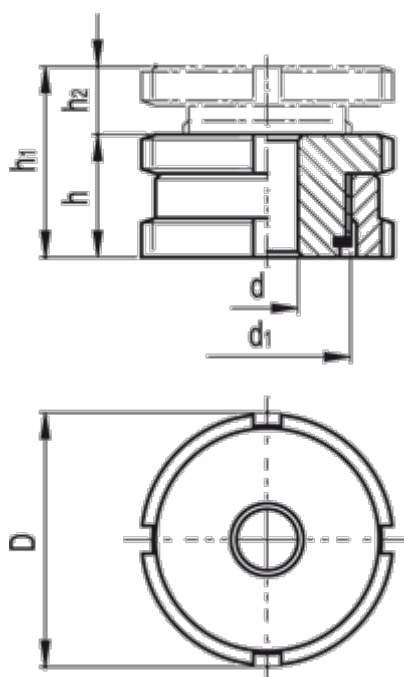


Article number: 20664172

Description: E+G Levelling set
GN 350.1-32-6.6-ST

Measures



C-spanner DIN 1810 = A30-32

d = 6.6

D = 32

d1 = M20x1

For screw = M6

h = 18

h1 = 23

h2 = 5

Max static load (N) = 65.0

Static preload (N) = 55.7

Weight (g) = 93